

Frikka by Fibre ⚡ood

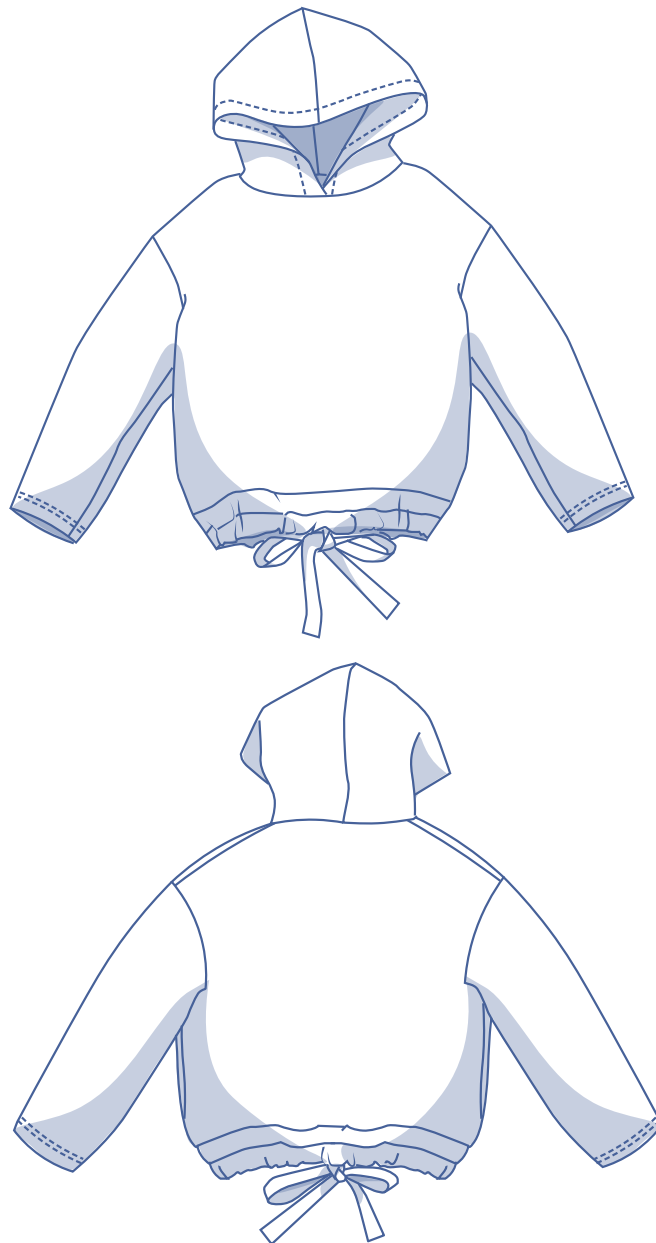


Frikka by Fibre ⚡ood



XS - XXXL

With a roomy hood, the oversized Frikka hoodie is perfect for mooching about in. Wear it loose and billowy at the hips for extra slouch factor or cinched in with the raw-edged drawstring. Casual, yet put together, the Frikka is sure to become a wardrobe staple!

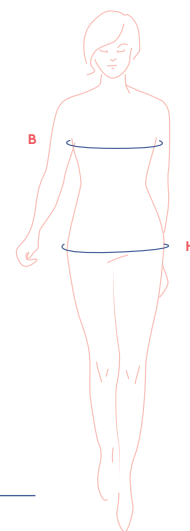


size chart (in cm)

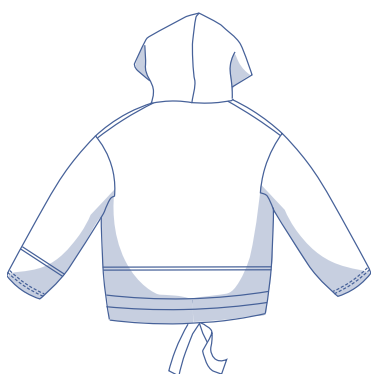
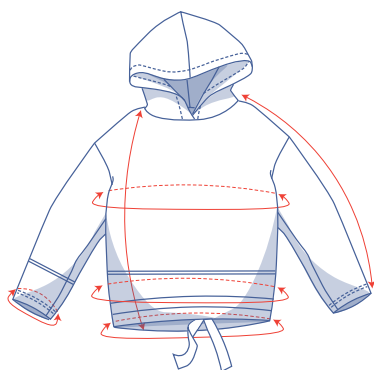
size	XS		S		M		L		XL		XXL		XXXL		
EU	32	34	36	38	40	42	44	46	48	50	52	54	56	58	60
UK	4	6	8	10	12	14	16	18	20	22	24	26	28	30	32
US	0	2	4	6	8	10	12	14	16	18	20	22	24	26	28
B	76	80	84	88	92	96	100	104	110	116	122	128	134	140	146
H	86	90	94	97	100	103	106	109	115	120	125	130	135	140	145

Bust (B): measure horizontally around the fullest part of the bust.

Hip (H): measure horizontally around the widest part of the lower body.



finished garment measurements(in cm)



— you can lengthen
or shorten the pattern here

This chart's measurements are the pattern measurements based on the fabric type and serve as a reference. For a more comfortable fit and to achieve a particular cut (fitted, loose or oversized), ease has been added to the width measurements (in addition to the exact body measurements). Depending on the preferred cut, you could possibly go a size smaller or larger than the size chosen.

size	XS	S	M	L	XL	XXL	XXXL
length	65.5	66.5	67.25	68	69.25	70.5	72
sleeve length*	59.25	61	62.5	64	65.75	67.5	69
bust	102.75	110.75	118.75	126.75	136.75	148.75	160.75
hips	104	112	118	124	133	143	153
hem circumference	104.25	112.25	118.25	124.25	133.25	143.25	153.25
sleeve hem circumference	29	30	31	32	33	34	35

* Including the shoulder length.

Compare the stated lengths to the measured or desired lengths. **Lengthen** or **shorten** the hoodie and/or the sleeves by cutting the pattern pieces at the indicated double lines and then spreading the pattern pieces out X cm from each other or overlapping them where needed. Make sure that the CF and CB lines and the side seams are always straight.



IMPORTANT

Adjust the amount of fabric to be used based on the alterations.

supplies



- Thread
- Scrap of iron-on interfacing
- Metal grommet (Ø 1.4 cm): 2 (optional, because you can also make a buttonhole)
- Fabric: see table

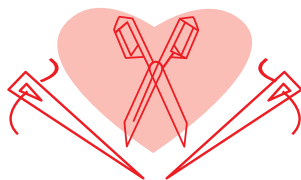
fabric used (in cm) standard	XS	S	M	L	XL	XXL	XXXL
fabric width 110 cm	250	255	260	265	270	275	310
fabric width 140 cm	180	180	185	220	230	235	240

The corresponding fabric layout can be found as of page 6 of these sewing instructions.

fabric advice Sweatshirting fabrics like interlock jersey, neoprene and stretch fabric with 'weight' work best for this design.



Proud to be #Sewista



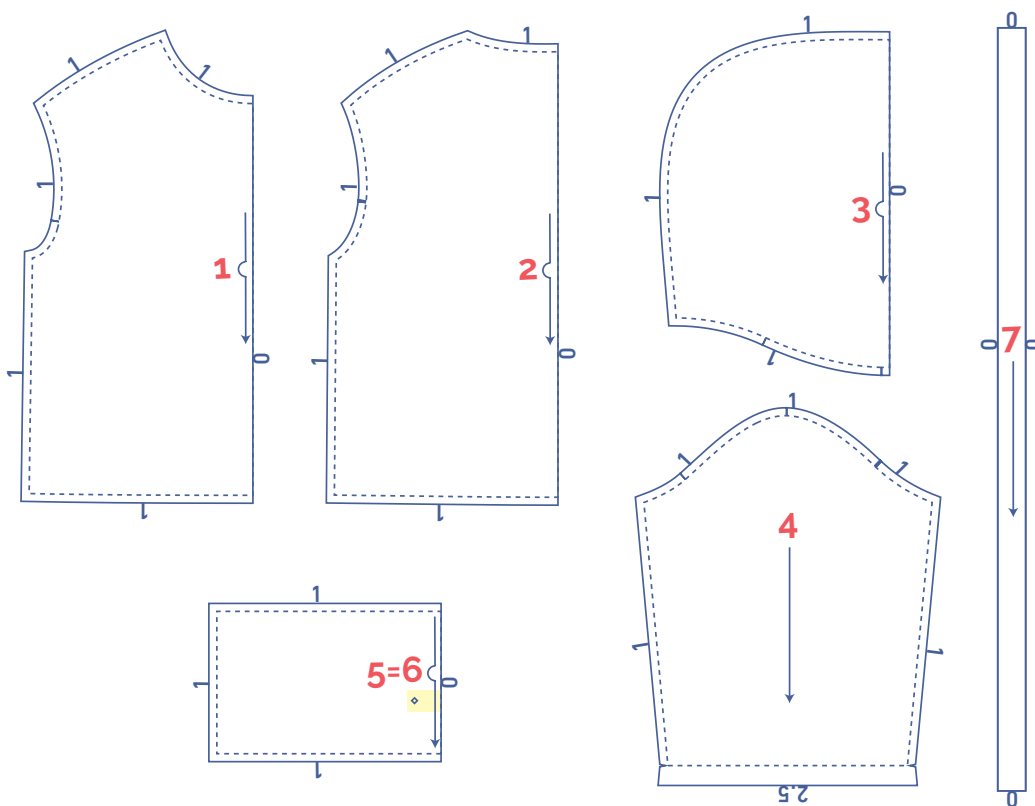
pattern pieces & seam allowances (in cm)

To sew the garment as described in the instructions, you must draw the illustrated seam allowances around the paper pattern pieces before cutting them out.

1. front: 1x on fabric fold
2. back: 1x on fabric fold
3. hood: 2x on fabric fold
4. sleeve: 2x
5. hem band front: 1x on fabric fold
6. hem band back: 1x on fabric fold
7. ties: 2x

IMPORTANT

The pieces highlighted in light yellow have iron-on interfacing attached to the wrong side.



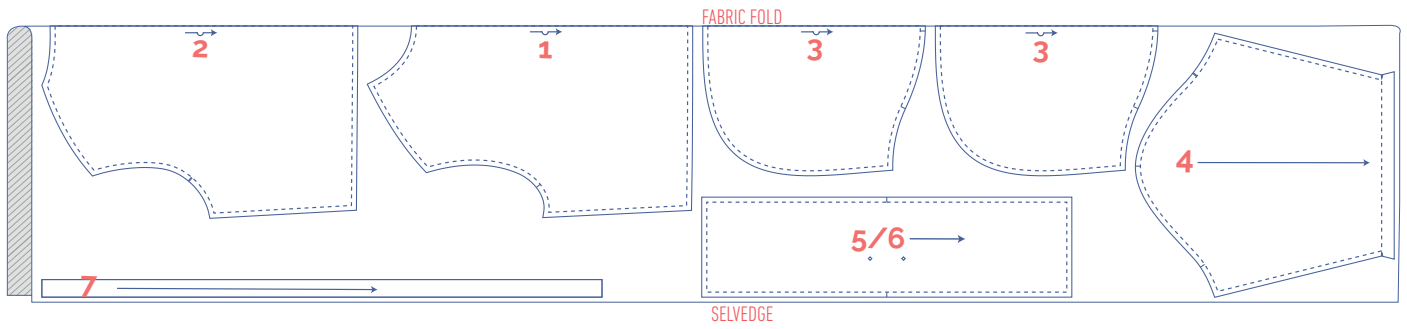
- Mark the next points with basting thread:



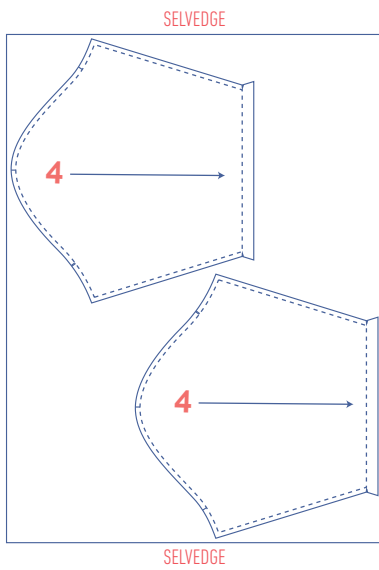
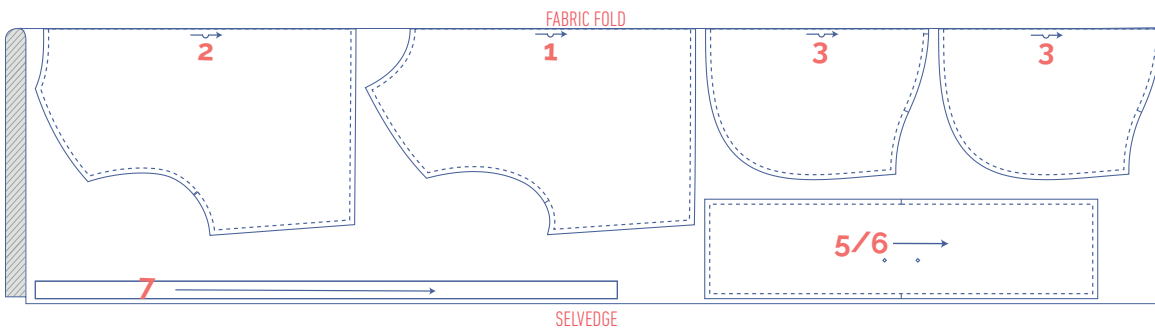
- Nick the pattern paper and fabric at the places where a single vertical line (I) and double vertical lines (II) are indicated.
- Cut a small notch out of the fabric at a V notch symbol or on the finished hemline.
- Cut a small notch (V notch) out of the pieces that lie on the fabric fold (↪) to mark the middle of these pieces.

fabric layout for fabrics 110 cm wide

XS - XXL

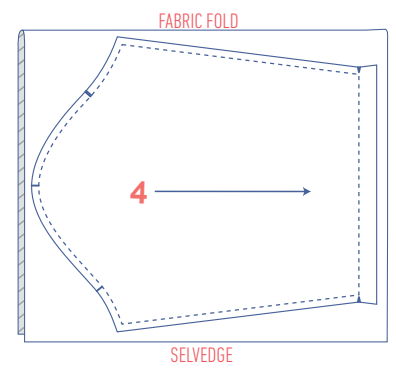
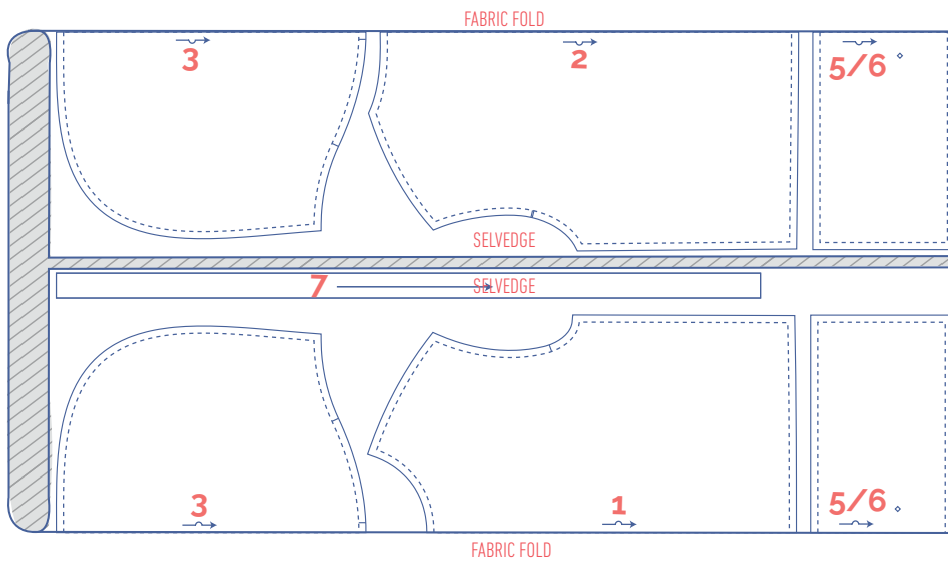


XXXL

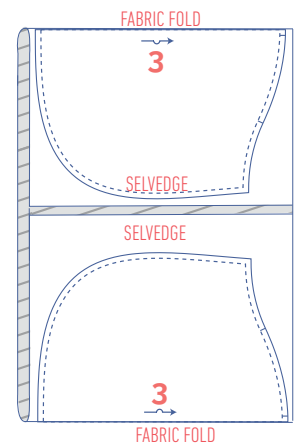
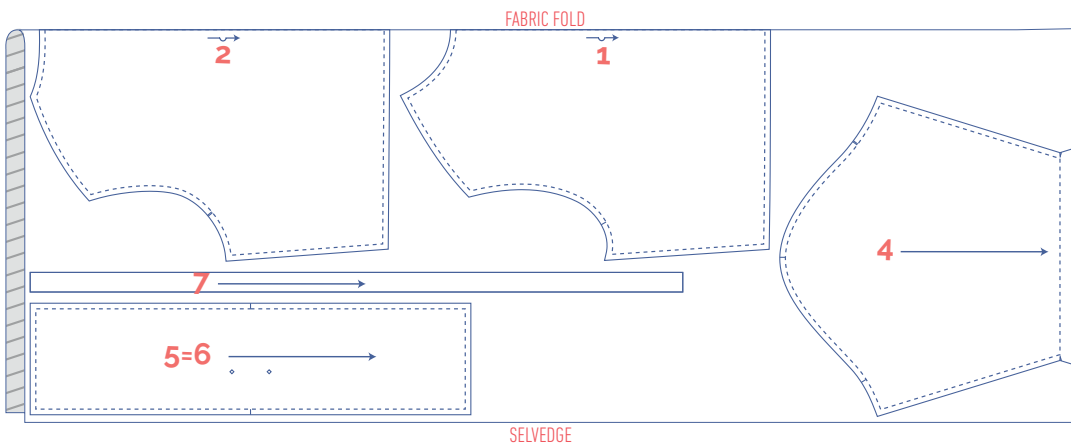


fabric layout for fabrics 140 cm wide

XS - M



L - XXXL



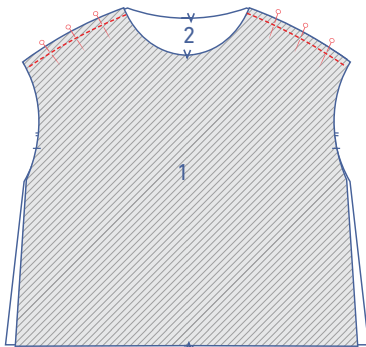
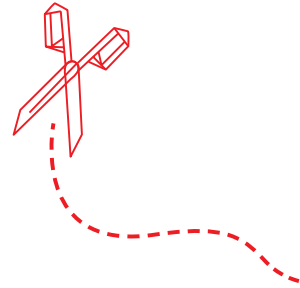
sewing instructions



The method used to finish the garment will depend on your chosen fabric. The pieces are always sewn together with right sides facing, unless stated otherwise.

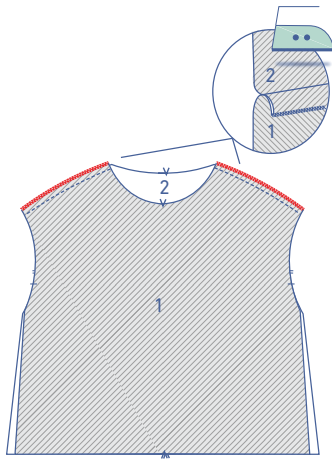


F	front
B	back
CF	centre front
CB	centre back
	right side
	wrong side
	iron-on interfacing

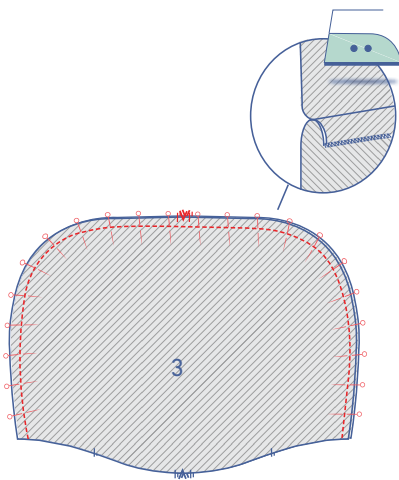


1

Pin and sew the shoulder seams of the front (1) and back (2).



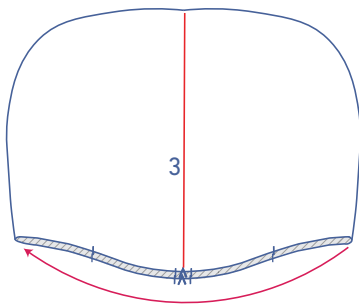
Finish the raw edges together with overlock stitching and press the seam allowance towards the front.



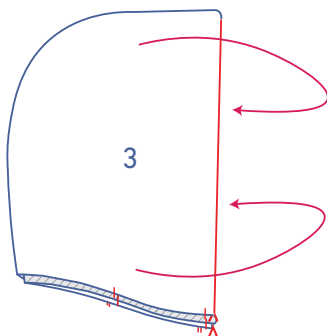
2

Pin and sew the curved edges of both hood pieces (3) with the corresponding notches matching.

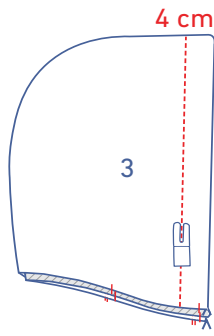
Press the seam allowances to one side.



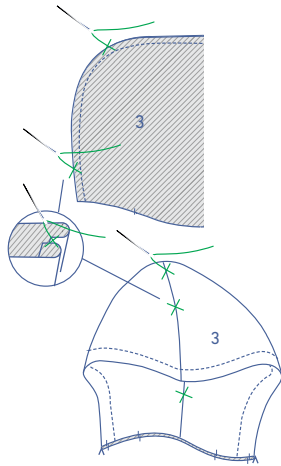
Turn the right way out.



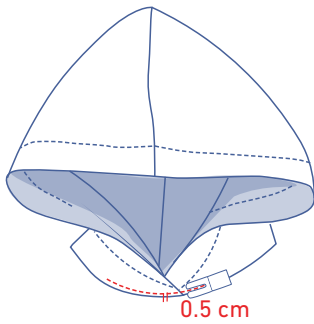
Now, fold the hood in half crosswise at the V notch with the right side facing outwards. Be sure that the seams and notches at the bottom match exactly.



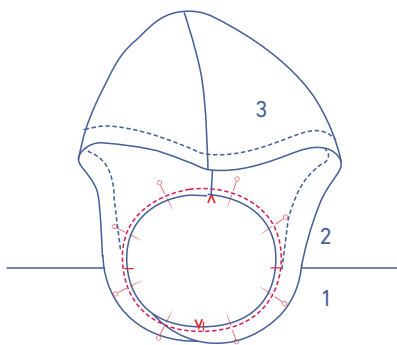
Top stitch all the way the around at 4 cm from the edge.



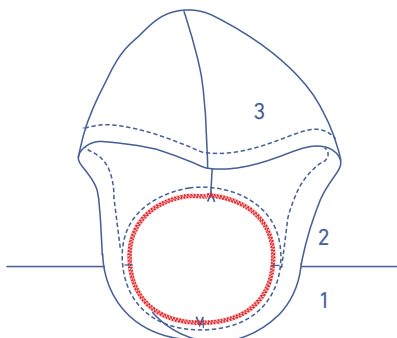
Sew the seam allowance of both hood pieces together along the inside with just a few stitches along the opening at the bottom.



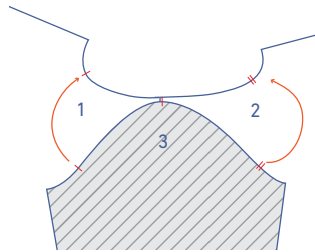
Pin both hood pieces with the CF notches neatly aligned. The right hood piece should be on top of the left hood piece. Sew into place at 0.5 cm from the raw edge.



Pin and sew the hood to the neckline. The single notches on the hood should match the V notch on the CF, while the CB seam of the hood should match the V notch on the CB.

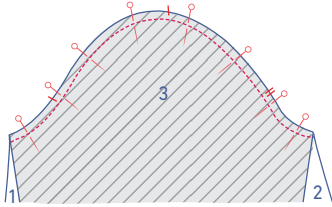


Finish the raw edges together with overlock stitching.

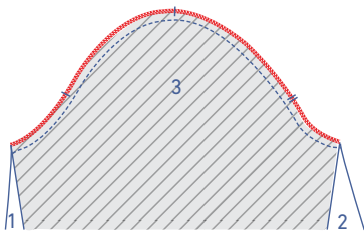


3

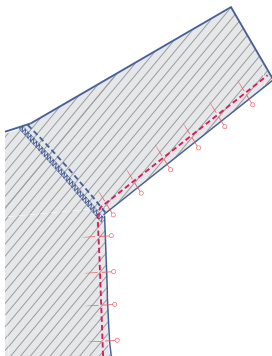
Pin and sew the top of the sleeve (4) (= the sleeve cap) to the armhole with the corresponding markings neatly matching. The single notch marks the front, while the double notches mark the back. The upper most notch should be aligned with the shoulder seam.



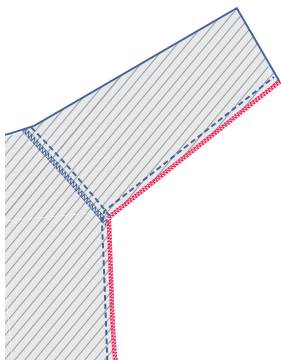
Finish the raw edges together with overlock stitching.



Pin and sew the side and underarm seams.

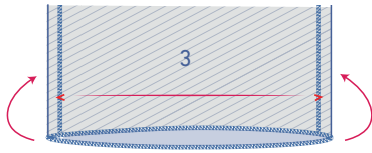


Finish the raw edges together with overlock stitching.

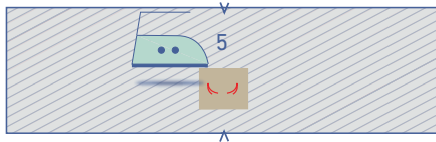
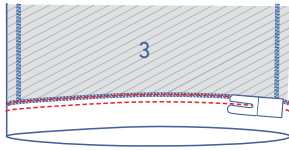


Finish the sleeve hems with overlock stitching.



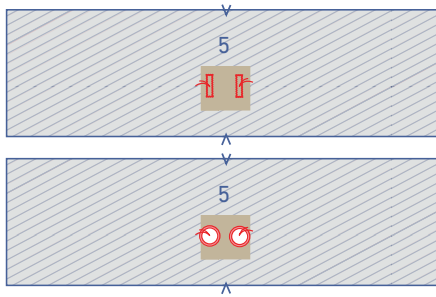


Press the seam allowance up at the V notches and sew the hem allowance into place with two rows of stretch topstitching.

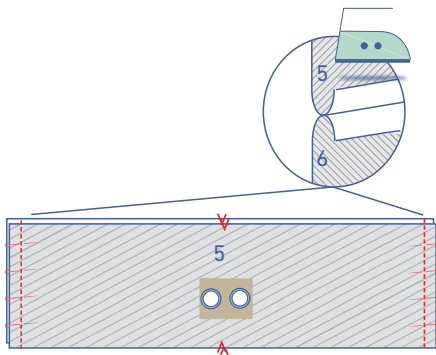


4

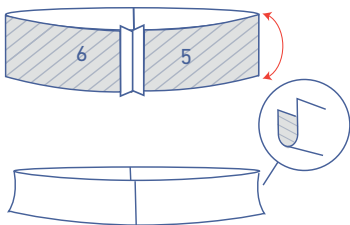
Press a small square of iron-on interfacing onto the wrong sides of the hem band front (5) at the place indicated.



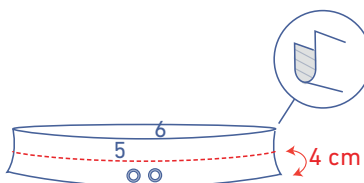
Make vertical buttonholes at the indicated place or insert metal grommets.



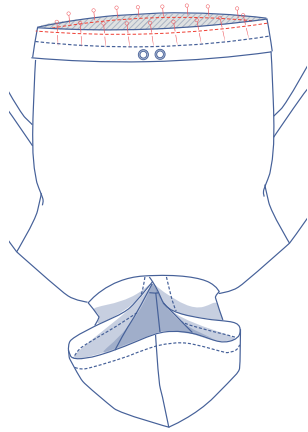
Pin and sew the side seams of the hem band front and hem band back (6) together. Press open the seam allowances.



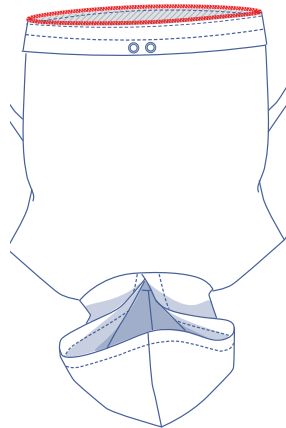
Press the hem band in half lengthwise with the right side of the fabric facing outwards.



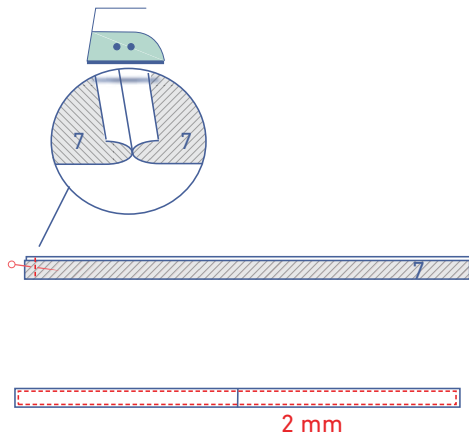
Sew through the middle of the hem band at 4 cm from the folded hem edge.



Pin and sew both raw edges of the hem band to the bottom of the garment with the corresponding nicks and seams matching. The hem band with the buttonholes/grommets goes on the front. The holes should be on the inside of the hem band.



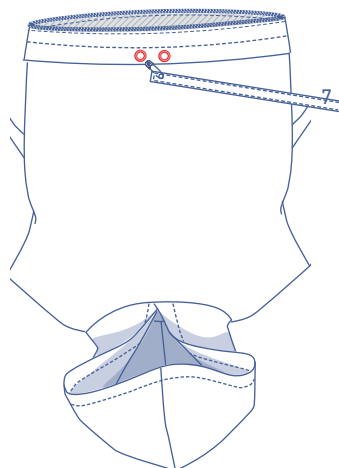
Finish the raw edges together with overlock stitching.



5

Pin and sew the CB seam of both ties (7). Press open the seam allowance.

Top stitch at 2 mm from the raw edges to prevent any further fraying.



6

Thread the ribbon through the hem band at the buttonholes/grommets in the CF.